



Wechat  
Official Account  
神牛微信公众号

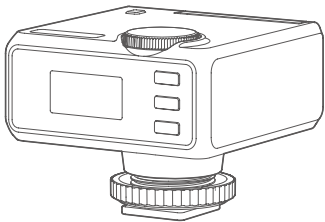
制造商：深圳市神牛摄影器材有限公司  
地址：深圳市宝安区福海街道塘尾社区耀川工业区厂房 2 栋  
电话：+86-755-29609320 (8062) 传真：+86-755-25723423  
邮箱：godox@godox.com 网址：Godox.com

MANUFACTURER: GODOX Photo Equipment Co., Ltd.  
Add.: Building 2, Yaochuan Industrial Zone, Shenzhen 518103, China  
Tel: +86-755-29609320 (8062) Fax: +86-755-25723423  
E-mail: godox@godox.com Website: Godox.com



Copyright © 2026 Godox All Rights Reserved.  
中国制造 Made in China | 705-YM30P0-00

Godox



iM30<sup>Pro</sup>

使用手册

Instruction Manual

## 重要安全说明

本产品属于专业摄影设备，仅限专业人员操作使用。

使用前必须拆除产品上的所有运输保护材料和包装。

使用时必须遵守以下基本安全预防措施：

1. 使用本产品前，请仔细阅读并完全理解产品说明书，严格按照说明书中的安全提示操作。否则，可能导致死亡、严重伤害、产品损坏或其他财产损失的安全隐患。
2. 闪光灯工作时存在高电压，关机后设备内部电容仍将持续带电一段时间。
3. 本产品为专业灯具，儿童禁止使用。儿童接近时，成人必须密切监督，防止儿童碰撞灯具或私自使用灯具，造成人身伤害。
4. 本灯具并非普通灯具，不可用于普通照明，任何有过眼部损伤或眼部敏感的人群均应避免使用本灯具或直视本灯具。
5. 使用时必须小心，严禁接触如灯头及其周边金属部件等高温区域，以避免烫伤。
6. 任何情况下均禁止将闪光灯直接对准人眼（特别是婴儿眼睛），否则短时间内可能导致视力损伤。如感到眼睛不适，应立即关闭灯具，停止使用并及时就医。
7. 严禁使用损坏的设备或配件，必须等待专业维修人员检查维修并确认设备正常后，才可继续使用。
8. 使用过程中，如果产品因跌落、挤压或强力冲击导致外壳破裂，应立即停止使用，避免接触内部电子部件而触电受伤。
9. 本设备不防水，请保持干燥，不能浸入水或其他液体，应安装在通风干燥位置，避免在雨天、潮湿、多尘或过热环境中使用。不要在设备上方放置物品，或让液体流入内部，防止发生危险。
10. 未经授权，请不要自行拆卸本产品。产品若出现故障，必须由本公司或授权维修人员检查和维修。
11. 存放设备前，请确保设备已完全冷却，拔下电源线（如有电源线），放入设备包内或通风干燥位置。
12. 请勿将设备放置在酒精、汽油等易燃挥发性溶剂或气体如甲烷、乙烷等附近。
13. 本设备禁止在有爆炸危险的环境中使用或存放。
14. 请勿使用未经本公司认可的配件，以免造成火灾、触电或人身伤害。
15. 清洁设备时，请用干燥软布轻轻擦拭，不可使用湿布，否则可能会损坏设备。
16. 本使用说明基于严格测试制定，设计和规格变更恕不另行通知。您可登录我们官方网站查看最

新电子版使用说明，了解产品最新资讯。

17. 本产品内置锂电池，必须使用专用充电器充电，并按正确操作说明，在规定电压和温度范围内使用。
18. 本产品使用锂电池供电。这类锂离子电池使用寿命有限，其有效寿命通常为 300-500 次完整充放电循环。随着使用频率和时间的增加，其最大储电能力会逐渐下降，此为正常现象。请定期检查电池情况，如果充电时间明显增加或续航时间明显减少，请考虑更换新电池。
19. 本产品配备锂电池，其储存建议如下：储存前，将电池充放电至约 50% 电量；至少每 6 个月将电池电量补充至约 50%，长期不进行维护性充电可能导致电池因过度放电而性能永久性下降甚至报废；可拆卸电池应单独存放；储存温度在 0°C 至 40°C 范围内。
20. 本产品使用锂电池供电， 请注意以下事项：
  - 不要拆卸、压碎或刺穿电池；
  - 电池没有防水功能，不要把电池浸泡在雾、水中；
  - 避免使电池触点短路；
  - 电池不要靠近和放置于火中；
  - 不要将电池暴露在 60° C 以上高温下；
  - 将电池放在儿童接触不到的位置；
  - 防止电池遭受过度冲击或振动；
  - 不要使用已损坏的电池；
  - 如果电池出现泄漏，请避免接触泄漏液体；
  - 如果眼睛接触电池液体，立即用水冲洗至少 15 分钟，抬起眼睑直到没有液体的迹象后及时就医。
21. 请仅按照本手册指定方法进行电池更换，使用非本手册指定的替换电池可能导致过热、起火或爆炸。
22. 处理任何电池前，请确认并遵守当地相关法律法规。
23. 本设备整机的保修期为一年。消耗品如电池、适配器、电源线等配件不在保修范围内。
24. 私自维修将取消保修资格，需支付维修费用。
25. 不当操作导致故障不在保修范围。

## 前言

感谢您选择神牛（Godox）产品！

iM30Pro 采用单触点热靴设计，兼容富士、佳能、尼康、奥林巴斯和索尼相机，精简按键操作，适用入门级摄影。

## 主要特点

**双模切换：**支持 AUTO 自动闪光 / M 手动闪光。

**可调灯头：**45°、60°、75°、90° 四档角度调节。

**光控引闪：**支持 S1 / S2 光控模式，可离机引闪。

**强劲续航：**内置 7.4V/700mAh 锂电池，全功率闪光约 550 次。

**极速回电：**全功率输出下，回电时间约 1.5 秒。

**磁吸生态：**灯头集成磁吸部件，快速兼容 Godox 磁吸塑光附件。

## 物品清单



灯体 ×1



USB-C 充电线 ×1



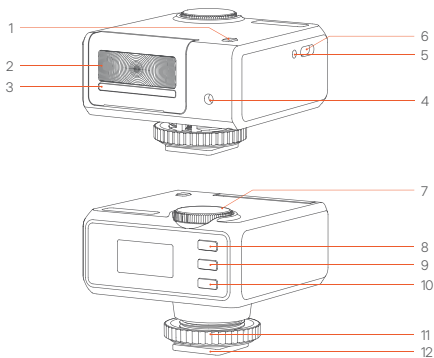
使用手册 ×1

## 可另购附件



MA01  
闪光灯磁吸附件

## 部件名称



1. 光控感应器
2. 闪光灯头
3. 磁吸附件安装位
4. 自动测光器
5. 同步接口
6. USB-C 充电接口

7. 调节旋钮
8. < SET > 设置键
9. < M/≡ > 模式 / 菜单键
10. < 4/∞ > 试闪 / 电源键
11. 热靴锁环
12. 单触点热靴

## 电源管理

### • 开关机

**开机:** 长按 < 4/0 > 键，屏幕显示解锁图标后，旋转旋钮解锁开机。

**关机:** 长按 < 4/0 > 键，直至屏幕熄灭。

### • 电量指示

屏幕右上角显示电池图标，详情参考下表：

图标显示	说明
3 格	满电
2 格	中电
1 格	低电
无格	电量少，请及时充电
全屏显示低电符号	设备将停止工作，请务必在 10 天内完成充电，以防电池因过放导致性能不可逆衰减。

### • 充电

使用随附的 USB-C 线连接电源适配器（需另购）进行充电。

## 闪光模式

短按 < M/≡ > 键，切换 M / AUTO 模式。

### • M 手动闪光

手动设置闪光输出功率。该模式支持 S1 / S2 光控引闪。

旋转旋钮设置输出功率。

范围：1/128 ~ 1/1

步长：1/3



**光控引闪 (S1 / S2) :** 通过光控感应器检测环境光明暗变化，触发闪光灯闪光。长按 < M/≡ > 键进入菜单，开启 S1 / S2 模式。

模式	适用场景	触发条件
S1 普通光控	M 手动闪光环境	与主闪光灯第一次闪光同步触发
S2 防预闪	TTL 自动闪光环境	忽略主灯 TTL 预闪，与第二次主闪同步触发

M 模式实用表

拍摄距离 (m) GN 值 \ 光圈	2	2.8	4	5.6	8	11	16
60	30	21.4	15	10.7	7.5	5.4	3.8
42.4	21.4	15	10.7	7.5	5.4	3.8	2.7
30	15	10.7	7.5	5.4	3.8	2.7	1.9
21.2	10.7	7.5	5.4	3.8	2.7	1.9	1.3
15	7.5	5.4	3.8	2.7	1.9	1.3	0.9
10.6	5.4	3.8	2.7	1.9	1.3	0.9	0.7
7.5	3.8	2.7	1.9	1.3	0.9	0.7	0.5
5.3	2.7	1.9	1.3	0.9	0.7	0.5	0.3
3.8	1.9	1.3	0.9	0.7	0.5	0.3	0.2
2.7	1.3	0.9	0.7	0.5	0.3	0.2	0.1
1.9	0.9	0.7	0.5	0.3	0.2	0.1	
1.3	0.7	0.5	0.3	0.2	0.1		
1	0.5	0.3	0.2	0.1			

GN 值 闪光功率	感光度					
	50	100	200	400	800	1600
1	10.6	15	21.2	30	42.4	60
1/2	7.5	10.6	15	21.2	30	42.4
1/4	5.3	7.5	10.6	15	21.2	30
1/8	3.8	5.3	7.5	10.6	15	21.2
1/16	2.7	3.8	5.3	7.5	10.6	15
1/32	1.9	2.7	3.8	5.3	7.5	10.6
1/64	1.3	1.9	2.7	3.8	5.3	7.5
1/128	1	1.3	1.9	2.7	3.8	5.3

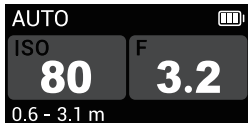
#### • AUTO 自动闪光

通过测光器测光，自动控制闪光输出。需同相机设置一致的感光度 (ISO) 和光圈值 (F)，方可正确计算。

短按 <SET> 键并旋转旋转钮设置 ISO / F 参数值。屏幕左下角显示当前设置的有效照明距离。

ISO 范围：25 ~ 1600

F 范围：1.4 ~ 45



AUTO 模式实用表

拍摄距离(m) 光圈	25	32	40	50	64	80	100	125	160	200
1.4	0.8~3.9	0.9~4.4	1.2~5.0	1.5~5.5						
1.6	0.7~3.4	0.8~3.9	0.9~4.4	1.2~5.0	1.5~5.5					
1.8	0.6~3.1	0.7~3.4	0.8~3.9	0.9~4.4	1.2~5.0	1.5~5.5				
2	0.5~2.7	0.6~3.1	0.7~3.4	0.8~3.9	0.9~4.4	1.2~5.0	1.5~5.5			
2.2	0.5~2.4	0.5~2.7	0.6~3.1	0.7~3.4	0.8~3.9	0.9~4.4	1.2~5.0	1.5~5.5		
2.5	0.5~2.2	0.5~2.4	0.5~2.7	0.6~3.1	0.7~3.4	0.8~3.9	0.9~4.4	1.2~5.0	1.5~5.5	
2.8	0.4~1.9	0.5~2.2	0.5~2.4	0.5~2.7	0.6~3.1	0.7~3.4	0.8~3.9	0.9~4.4	1.2~5.0	1.5~5.5
3.2	0.4~1.7	0.4~1.9	0.5~2.2	0.5~2.4	0.5~2.7	0.6~3.1	0.7~3.4	0.8~3.9	0.9~4.4	1.2~5.0
3.5	0.4~1.5	0.4~1.7	0.4~1.9	0.5~2.2	0.5~2.4	0.5~2.7	0.6~3.1	0.7~3.4	0.8~3.9	0.9~4.4
4	0.4~1.3	0.4~1.5	0.4~1.7	0.4~1.9	0.5~2.2	0.5~2.4	0.5~2.7	0.6~3.1	0.7~3.4	0.8~3.9
4.5	0.4~1.2	0.4~1.3	0.4~1.5	0.4~1.7	0.4~1.9	0.5~2.2	0.5~2.4	0.5~2.7	0.6~3.1	0.7~3.4
5	0.4~1.1	0.4~1.2	0.4~1.3	0.4~1.5	0.4~1.7	0.4~1.9	0.5~2.2	0.5~2.4	0.5~2.7	0.6~3.1
5.6	0.4~1.0	0.4~1.1	0.4~1.2	0.4~1.3	0.4~1.5	0.4~1.7	0.4~1.9	0.5~2.2	0.5~2.4	0.5~2.7
6.3		0.4~1.0	0.4~1.1	0.4~1.2	0.4~1.3	0.4~1.5	0.4~1.7	0.4~1.9	0.5~2.2	0.5~2.4
7.1			0.4~1.0	0.4~1.1	0.4~1.2	0.4~1.3	0.4~1.5	0.4~1.7	0.4~1.9	0.5~2.2
8				0.4~1.0	0.4~1.1	0.4~1.2	0.4~1.3	0.4~1.5	0.4~1.7	0.4~1.9
9					0.4~1.0	0.4~1.1	0.4~1.2	0.4~1.3	0.4~1.5	0.4~1.7
10						0.4~1.0	0.4~1.1	0.4~1.2	0.4~1.3	0.4~1.5
11							0.4~1.0	0.4~1.1	0.4~1.2	0.4~1.3
13								0.4~1.0	0.4~1.1	0.4~1.2
14									0.4~1.0	0.4~1.1
16										0.4~1.0

拍摄距离(m) 感光度 光圈	250	320	400	500	640	800	1000	1250	1600
3.2	15~5.5								
3.5	12~5.0	15~5.5							
4	0.9~4.4	12~5.0	15~5.5						
4.5	0.8~3.9	0.9~4.4	12~5.0	15~5.5					
5	0.7~3.4	0.8~3.9	0.9~4.4	12~5.0	15~5.5				
5.6	0.6~3.1	0.7~3.4	0.8~3.9	0.9~4.4	12~5.0	15~5.5			
6.3	0.5~2.7	0.6~3.1	0.7~3.4	0.8~3.9	0.9~4.4	12~5.0	15~5.5		
7.1	0.5~2.4	0.5~2.7	0.6~3.1	0.7~3.4	0.8~3.9	0.9~4.4	12~5.0	15~5.5	
8	0.5~2.2	0.5~2.4	0.5~2.7	0.6~3.1	0.7~3.4	0.8~3.9	0.9~4.4	12~5.0	15~5.5
9	0.4~1.9	0.5~2.2	0.5~2.4	0.5~2.7	0.6~3.1	0.7~3.4	0.8~3.9	0.9~4.4	12~5.0
10	0.4~1.7	0.4~1.9	0.5~2.2	0.5~2.4	0.5~2.7	0.6~3.1	0.7~3.4	0.8~3.9	0.9~4.4
11	0.4~1.5	0.4~1.7	0.4~1.9	0.5~2.2	0.5~2.4	0.5~2.7	0.6~3.1	0.7~3.4	0.8~3.9
13	0.4~1.3	0.4~1.5	0.4~1.7	0.4~1.9	0.5~2.2	0.5~2.4	0.5~2.7	0.6~3.1	0.7~3.4
14	0.4~1.2	0.4~1.3	0.4~1.5	0.4~1.7	0.4~1.9	0.5~2.2	0.5~2.4	0.5~2.7	0.6~3.1
16	0.4~1.1	0.4~1.2	0.4~1.3	0.4~1.5	0.4~1.7	0.4~1.9	0.5~2.2	0.5~2.4	0.5~2.7
18	0.4~1.0	0.4~1.1	0.4~1.2	0.4~1.3	0.4~1.5	0.4~1.7	0.4~1.9	0.5~2.2	0.5~2.4
20		0.4~1.0	0.4~1.1	0.4~1.2	0.4~1.3	0.4~1.5	0.4~1.7	0.4~1.9	0.5~2.2
22			0.4~1.0	0.4~1.1	0.4~1.2	0.4~1.3	0.4~1.5	0.4~1.7	0.4~1.9
25				0.4~1.0	0.4~1.1	0.4~1.2	0.4~1.3	0.4~1.5	0.4~1.7
29					0.4~1.0	0.4~1.1	0.4~1.2	0.4~1.3	0.4~1.5
32						0.4~1.0	0.4~1.1	0.4~1.2	0.4~1.3
36							0.4~1.0	0.4~1.1	0.4~1.2
40								0.4~1.0	0.4~1.1
45									0.4~1.0

## 菜单功能

1. 长按 < M/≡ > 键，进入菜单；
2. 旋转旋钮，选择所需项；
3. 短按 < SET > 并旋转旋钮，设置参数。

图标	功能	选项	备注
	Photocell (光控引闪)	OFF	此功能不生效
		S1	仅 M 模式下支持
		S2	
	Auto off (自动关机)	OFF	此功能不生效
		30 min	无操作 30 分钟后，自动关机
		60 min	无操作 60 分钟后，自动关机
		90 min	无操作 90 分钟后，自动关机
	Standby (屏幕待机)	30 sec	无操作 30 秒后，屏幕待机
		1 min	无操作 1 分钟后，屏幕待机
		2 min	无操作 2 分钟后，屏幕待机
		3 min	无操作 3 分钟后，屏幕待机

## 组合键功能

- 系统复位

开机状态下，长按 < M/≡ > 和 < 4/⏻ > 键，恢复出厂设置。

- 强制关机

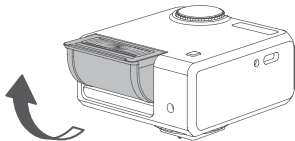
开机状态下，同时按 < SET > 和 < 4/⏻ > 键。

## 其他应用

- 反射闪光

调节灯头角度，将闪光指向天花板或墙壁。利用大面积反射原理，光线将变得更加柔和，从而减轻被摄体阴影，获得自然、富有质感的摄影效果。

**可调角度：**45°、60°、75°、90°。



- 同步接口触发

接口规格为  $\phi 2.5$  mm，此处可插入同步线或触发器触发插头进行同步引闪。

## 技术参数

产品名称	iFlash 机顶闪光灯
型号	iM30Pro
闪光模式	M 手动闪光, AUTO 自动闪光
闪光指数 (m ISO 100)	GN15
闪光输出功率	范围 1/128 ~ 1/1, 步长 1/3
闪光次数 (1/1 档位)	约 550 次
回电时间	约 0.1 ~ 1.5 秒
内置电池	7.4V/700mAh (锂电池)
节能	具备待机 / 自动关机功能
同步触发方式	热靴, 光控引闪, 2.5 mm 同步线
工作环境温度	-10°C ~ 45°C
尺寸	62 × 64 × 48 mm
净重	约 121 g

规格和参数如有变更, 恕不另行通知。

## 维护保养

**防震保护：**设备可能因强烈碰撞或振动引发功能异常。

**保持干燥：**本产品不防水。严禁湿手操作或在雨天、浴室等潮湿环境中使用。

**温度适应：**避免设备经历极端温度变化，如从低温环境迅速进入高温环境，可能导致内部冷凝。在温度变化较大时，可预先将设备存放于保护袋内，以减少温度冲击。

## 电池更换指引

本产品设计为允许用户在产品生命周期内使用常用工具自行更换电池。

**警告：**仅建议在电池效能显著下降时进行更换。

### 安全操作规范

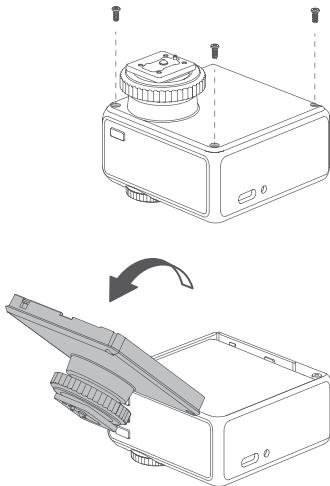
1. 如设备进水，请立即停止工作，切断电源，拆卸电池并在干燥处晾干后再进行操作。
2. 建议使用原装电池以保证安全和效能。
3. 确保工作环境干燥、无粉尘。

### 所需工具

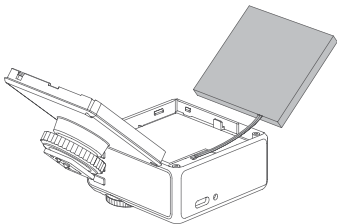
工具名称	备注
十字螺丝刀	常规工具，家用五金店有售
绝缘胶带	用于废弃电池极头绝缘包装

## 更换步骤

1. **断电：** 关闭电源并拔掉充电线。
2. **移除外壳：** 使用十字螺丝刀移除底壳 3 颗固定螺丝后，打开底壳。



3. **断开连接：**小心分离电池端子连接器，切勿用力拉扯连接线。
4. **安装新电池：**确保连接器方向正确，按原位固定并还原外壳。



注：若产品无法正常启动，请检查电池连接器是否安装到位。

## 回收与废弃处理

1. 使用绝缘胶带将电池两极包裹，防止短路。
2. 应遵守当地环保法规，交由正规电池回收点处理。

## Important Safety Instructions

This product is professional photographic equipment, intended for professional use only.

Remove all transport protection materials and packaging before use.

Strictly observe the following safety precautions during use:

1. Read this manual thoroughly before use and strictly observe the safety instructions. Failure to do so may result in death, serious injury, product damage, or other property loss.
2. High voltage exists inside the flash unit during operation. The capacitor remains charged for a certain period even after powering off.
3. This product is professional lighting equipment. Keep out of reach of children. Adult supervision is required when children are present to prevent injury caused by collision or misuse.
4. This is not an ordinary light fixture. Do not use it for general illumination. People with eye injuries or sensitivity should avoid using or looking directly at this flash.
5. Do not touch the flash head or surrounding metal parts during use to avoid burns.
6. Do not stare directly at the flash tube at close range (especially for infants), otherwise it may cause visual impairment in a short time. If you experience visual discomfort, stop using immediately and seek medical attention.
7. Do not use damaged equipment. Wait for professional repair personnel to inspect and confirm it is safe before use.
8. Stop using immediately if the product casing is cracked due to drops, squeezing, or strong impact, to avoid electric shock from touching internal electronic components.
9. This device is NOT waterproof. Strictly do not immerse in water or other liquids. Install in a dry, well-ventilated location. Do not use in rainy, damp, dusty, or overheated environments. Do not place objects on top of the device or allow liquids to flow into it.
10. Do not disassemble this product without authorization. Malfunctions must be inspected and repaired by Godox or an authorized service center.
11. Ensure the device has cooled down completely and disconnect the power cord (if applicable) before storage. Store in a carrying case or a dry, well-ventilated place.

12. Strictly do not use or store the device near flammable solvents or gases such as alcohol, gasoline, methane, or ethane.
13. Do not use in environments with a risk of explosion.
14. Use only original accessories approved by Godox to avoid fire, electric shock, or personal injury.
15. Clean with a dry, soft cloth only. Strictly do not use a wet cloth, otherwise the device may be damaged.
16. This manual is based on strict testing. Design and specifications are subject to change without notice. Visit our official website for the latest digital manual and product information.
17. Must be charged using a dedicated charger according to the instructions, within the specified voltage and temperature range.
18. This product is powered by a lithium battery. Lithium batteries have a limited lifespan, typically 300 - 500 complete charge-discharge cycles. The maximum capacity will gradually decrease with usage and time, which is normal. Check the battery condition regularly. If the charging time increases significantly or the runtime decreases noticeably, please consider replacing the battery.
19. Charge the battery to approx. 50% before storage. Charge the battery to approx. 50% at least every 6 months. Failure to perform maintenance charges may result in over-discharge, leading to permanent performance degradation or battery failure. Detachable batteries should be stored separately. Storage temperature: 0°C to 40°C.
20. This product is powered by a lithium battery. Please note the following:
  - Do not disassemble, crush, or puncture the battery.
  - The battery is not waterproof. Do not immerse it in water or expose it to mist.
  - Avoid short-circuiting the battery contacts.
  - Do not expose the battery to fire or heat.
  - Do not expose the battery to temperatures above 60°C.
  - Keep out of reach of children.
  - Protect the battery from excessive shock or vibration.
  - Do not use damaged batteries.
  - If the battery leaks, avoid contact with the leaking fluid.

- If the fluid comes into contact with your eyes, rinse immediately with water for at least 15 minutes. Lift your eyelids to ensure thorough rinsing and seek medical attention immediately.
21. Replace the battery only according to the instructions in this manual. Using a battery not specified in this manual may result in overheating, fire, or explosion.
  22. Dispose of used batteries in accordance with local law and regulations.
  23. The warranty period for the device is 1 year. Consumables (e.g., batteries, adapters, power cords) are not covered by the warranty.
  24. Unauthorized repairs will void the warranty and incur repair fees.
  25. Malfunctions caused by improper operation are not covered by the warranty.

## Foreword

Thank you for purchasing !

The iM30Pro features a single-contact hot shoe design, making it compatible with Fujifilm, Canon, Nikon, Olympus, and Sony cameras. With simplified button operations, it is suitable for entry-level photography.

## Main Features

**Dual Mode Switching:** Supports AUTO automatic flash / M manual flash.

**Adjustable Flash Head:** 45°, 60°, 75°, 90° four-level angle adjustment.

**Optical Triggering:** Supports S1 / S2 optical triggering modes, enables off-camera triggering.

**Powerful Battery Life:** Built-in 7.4V/700mAh lithium battery, approx. 550 full-power flashes.

**Fast Recycling:** Full-power output recycling time approx. 1.5 seconds.

**Magnetic Ecosystem:** Flash head integrates magnetic mount, quick compatibility with Godox magnetic light modifiers.

## What's Inside



Flash Unit ×1



USB-C Cable×1



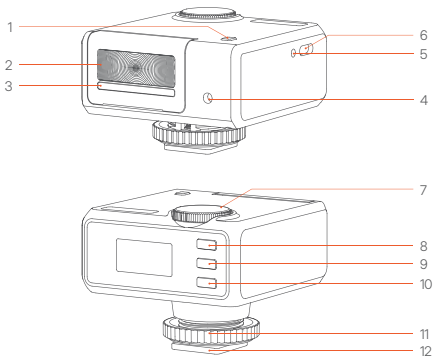
Instruction Manual×1

## Separately Sold Accessories



MA01  
Flash Magnetic Accessory

## Names of Parts



1. Photocell Sensor
2. Flash Head
3. Magnetic Mount
4. Auto Metering Sensor
5. Sync Cord Jack
6. USB-C Charging Port

7. Select Dial
8. < SET > Button
9. < M/≡ > Mode / Menu Button
10. < 1/0 > Test / Power Button
11. Hot Shoe Locking Ring
12. Single Contact Hot Shoe

## Power Switch

**Power On:** Press and hold the < 4/⏻ > Button. When the unlock icon appears on the screen, turn the Select Dial to unlock.

**Power Off:** Press and hold the < 4/⏻ > Button until the screen turns off.

- **Battery Level Indicator**

The battery icon is displayed in the top right corner of the screen. Refer to the table below for detailed information:

Icon	Status
3 Bars	Full Power
2 Bars	Medium Power
1 Bars	Low Power
No Bars	Low Battery. Please charge promptly.
Full-screen Low Battery Icon	The device will shut down. Be sure to complete charging within 10 days to prevent the battery from irreversible performance degradation caused by over-discharge.

- **Charging**

Use the included USB-C cable to connect the device to a power adapter (sold separately) for charging.

## Flash Mode

Short press the < M/☰ > Button to switch between M and AUTO modes.

- **M Manual Flash**

Manually set the flash output. This mode supports S1 / S2 Photocell triggering.

Turn the Select Dial to set the output power.

Range: 1/128 - 1/1

Step: 1/3



**Photocell (S1 / S2):** Detects ambient light changes via the optical sensor and triggers the flash. Press and hold the < M/☰ > button to access the menu and enable S1/S2 mode.

Mode	Applicable Scenarios	Trigger Conditions
S1 Standard Photocell	M Manual flash environment	Triggers in sync with the first flash of the main flash
S2 Pre-Flash Suppression	TTL automatic flash environment	Ignores the TTL pre-flash and triggers on the main flash

### M Mode Practical Table:

Shooting Distance(m) Aperture Value GN Value	2	2.8	4	5.6	8	11	16
60	30	21.4	15	10.7	7.5	5.4	3.8
42.4	21.4	15	10.7	7.5	5.4	3.8	2.7
30	15	10.7	7.5	5.4	3.8	2.7	1.9
21.2	10.7	7.5	5.4	3.8	2.7	1.9	1.3
15	7.5	5.4	3.8	2.7	1.9	1.3	0.9
10.6	5.4	3.8	2.7	1.9	1.3	0.9	0.7
7.5	3.8	2.7	1.9	1.3	0.9	0.7	0.5
5.3	2.7	1.9	1.3	0.9	0.7	0.5	0.3
3.8	1.9	1.3	0.9	0.7	0.5	0.3	0.2
2.7	1.3	0.9	0.7	0.5	0.3	0.2	0.1
1.9	0.9	0.7	0.5	0.3	0.2	0.1	
1.3	0.7	0.5	0.3	0.2	0.1		
1	0.5	0.3	0.2	0.1			

ISO value GN Value Flash Power	50	100	200	400	800	1600
1	10.6	15	21.2	30	42.4	60
1/2	7.5	10.6	15	21.2	30	42.4
1/4	5.3	7.5	10.6	15	21.2	30
1/8	3.8	5.3	7.5	10.6	15	21.2
1/16	2.7	3.8	5.3	7.5	10.6	15
1/32	1.9	2.7	3.8	5.3	7.5	10.6
1/64	1.3	1.9	2.7	3.8	5.3	7.5
1/128	1	1.3	1.9	2.7	3.8	5.3

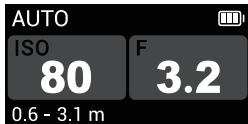
- **AUTO Auto Flash**

The flash measures light via the Light Sensor Window and automatically control flash output. Ensure the ISO and Aperture (F) settings on the flash match the camera settings for correct exposure.

Short press the <SET> Button and turn the Select Dial to set ISO / F values. The bottom left of the screen displays the current effective flash range.

ISO Range: 25 - 1600

F Range: 1.4 - 45






## AUTO Mode Practical Table

Shooting Distance (m) Aperture	ISO										
	25	32	40	50	64	80	100	125	160	200	
1.4	0.8~3.9	0.9~4.4	1.2~5.0	1.5~5.5							
1.6	0.7~3.4	0.8~3.9	0.9~4.4	1.2~5.0	1.5~5.5						
1.8	0.6~3.1	0.7~3.4	0.8~3.9	0.9~4.4	1.2~5.0	1.5~5.5					
2	0.5~2.7	0.6~3.1	0.7~3.4	0.8~3.9	0.9~4.4	1.2~5.0	1.5~5.5				
2.2	0.5~2.4	0.5~2.7	0.6~3.1	0.7~3.4	0.8~3.9	0.9~4.4	1.2~5.0	1.5~5.5			
2.5	0.5~2.2	0.5~2.4	0.5~2.7	0.6~3.1	0.7~3.4	0.8~3.9	0.9~4.4	1.2~5.0	1.5~5.5		
2.8	0.4~1.9	0.5~2.2	0.5~2.4	0.5~2.7	0.6~3.1	0.7~3.4	0.8~3.9	0.9~4.4	1.2~5.0	1.5~5.5	
3.2	0.4~1.7	0.4~1.9	0.5~2.2	0.5~2.4	0.5~2.7	0.6~3.1	0.7~3.4	0.8~3.9	0.9~4.4	1.2~5.0	
3.5	0.4~1.5	0.4~1.7	0.4~1.9	0.5~2.2	0.5~2.4	0.5~2.7	0.6~3.1	0.7~3.4	0.8~3.9	0.9~4.4	
4	0.4~1.3	0.4~1.5	0.4~1.7	0.4~1.9	0.5~2.2	0.5~2.4	0.5~2.7	0.6~3.1	0.7~3.4	0.8~3.9	
4.5	0.4~1.2	0.4~1.3	0.4~1.5	0.4~1.7	0.4~1.9	0.5~2.2	0.5~2.4	0.5~2.7	0.6~3.1	0.7~3.4	
5	0.4~1.1	0.4~1.2	0.4~1.3	0.4~1.5	0.4~1.7	0.4~1.9	0.5~2.2	0.5~2.4	0.5~2.7	0.6~3.1	
5.6	0.4~1.0	0.4~1.1	0.4~1.2	0.4~1.3	0.4~1.5	0.4~1.7	0.4~1.9	0.5~2.2	0.5~2.4	0.5~2.7	
6.3		0.4~1.0	0.4~1.1	0.4~1.2	0.4~1.3	0.4~1.5	0.4~1.7	0.4~1.9	0.5~2.2	0.5~2.4	
7.1			0.4~1.0	0.4~1.1	0.4~1.2	0.4~1.3	0.4~1.5	0.4~1.7	0.4~1.9	0.5~2.2	
8				0.4~1.0	0.4~1.1	0.4~1.2	0.4~1.3	0.4~1.5	0.4~1.7	0.4~1.9	
9					0.4~1.0	0.4~1.1	0.4~1.2	0.4~1.3	0.4~1.5	0.4~1.7	
10						0.4~1.0	0.4~1.1	0.4~1.2	0.4~1.3	0.4~1.5	
11							0.4~1.0	0.4~1.1	0.4~1.2	0.4~1.3	
13								0.4~1.0	0.4~1.1	0.4~1.2	
14									0.4~1.0	0.4~1.1	
16										0.4~1.0	

Shooting Distance (m)	ISO									
	250	320	400	500	640	800	1000	1250	1600	
Aperture										
3.2	1.5~5.5									
3.5	1.2~5.0	1.5~5.5								
4	0.9~4.4	1.2~5.0	1.5~5.5							
4.5	0.8~3.9	0.9~4.4	1.2~5.0	1.5~5.5						
5	0.7~3.4	0.8~3.9	0.9~4.4	1.2~5.0	1.5~5.5					
5.6	0.6~3.1	0.7~3.4	0.8~3.9	0.9~4.4	1.2~5.0	1.5~5.5				
6.3	0.5~2.7	0.6~3.1	0.7~3.4	0.8~3.9	0.9~4.4	1.2~5.0	1.5~5.5			
7.1	0.5~2.4	0.5~2.7	0.6~3.1	0.7~3.4	0.8~3.9	0.9~4.4	1.2~5.0	1.5~5.5		
8	0.5~2.2	0.5~2.4	0.5~2.7	0.6~3.1	0.7~3.4	0.8~3.9	0.9~4.4	1.2~5.0	1.5~5.5	
9	0.4~1.9	0.5~2.2	0.5~2.4	0.5~2.7	0.6~3.1	0.7~3.4	0.8~3.9	0.9~4.4	1.2~5.0	
10	0.4~1.7	0.4~1.9	0.5~2.2	0.5~2.4	0.5~2.7	0.6~3.1	0.7~3.4	0.8~3.9	0.9~4.4	
11	0.4~1.5	0.4~1.7	0.4~1.9	0.5~2.2	0.5~2.4	0.5~2.7	0.6~3.1	0.7~3.4	0.8~3.9	
13	0.4~1.3	0.4~1.5	0.4~1.7	0.4~1.9	0.5~2.2	0.5~2.4	0.5~2.7	0.6~3.1	0.7~3.4	
14	0.4~1.2	0.4~1.3	0.4~1.5	0.4~1.7	0.4~1.9	0.5~2.2	0.5~2.4	0.5~2.7	0.6~3.1	
16	0.4~1.1	0.4~1.2	0.4~1.3	0.4~1.5	0.4~1.7	0.4~1.9	0.5~2.2	0.5~2.4	0.5~2.7	
18	0.4~1.0	0.4~1.1	0.4~1.2	0.4~1.3	0.4~1.5	0.4~1.7	0.4~1.9	0.5~2.2	0.5~2.4	
20		0.4~1.0	0.4~1.1	0.4~1.2	0.4~1.3	0.4~1.5	0.4~1.7	0.4~1.9	0.5~2.2	
22			0.4~1.0	0.4~1.1	0.4~1.2	0.4~1.3	0.4~1.5	0.4~1.7	0.4~1.9	
25				0.4~1.0	0.4~1.1	0.4~1.2	0.4~1.3	0.4~1.5	0.4~1.7	
29					0.4~1.0	0.4~1.1	0.4~1.2	0.4~1.3	0.4~1.5	
32						0.4~1.0	0.4~1.1	0.4~1.2	0.4~1.3	
36							0.4~1.0	0.4~1.1	0.4~1.2	
40								0.4~1.0	0.4~1.1	
45									0.4~1.0	

## Menu Functions

1. Long press the < M/≡ > Button to enter the Menu.
2. Turn the Select Dial to select an item.
3. Short press < SET > and turn the Select Dial to adjust parameters.

Icon	Function	Option	Note
	Photocell	OFF	Function disabled.
		S1	Available in M Mode only.
		S2	
	Auto off	OFF	Function disabled.
		30 min	Auto power off after 30 min of inactivity.
		60 min	Auto power off after 60 min of inactivity.
		90 min	Auto power off after 90 min of inactivity.
	Standby	30 sec	Screen standby after 30 s of inactivity.
		1 min	Screen standby after 1 min of inactivity.
		2 min	Screen standby after 2 min of inactivity.
		3 min	Screen standby after 3 min of inactivity.

## Button Combinations

- **Factory Reset**

With the device powered on, press and hold the < M/≡ > and < 4/⏻ > Buttons to factory reset.

- **Forced Power Off**

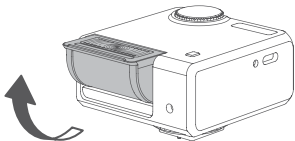
With the device powered on, press the < SET > and < 4/⏻ > Buttons simultaneously.

## Other Operation

- **Bounce Flash**

Tilt the flash head to point the flash toward the ceiling or wall. Using large-surface bounce lighting, the light becomes softer, reducing subject shadows and creating natural, textured photography results.

**Adjustable tilt angle:** 45°, 60°, 75°, 90°.



- **Sync Cord Jack Triggering**

Featuring a  $\varnothing 2.5$  mm specification, the Sync Cord Jack accepts a sync cable or trigger plug to fire the flash.

## Technical Data

Product Name	iFlash Camera Flash
Model	iM30Pro
Flash Mode	M (Manual), AUTO (Automatic)
GN (m ISO 100)	15
Flash Output Power	Range: 1/128 - 1/1, Step: 1/3
Flash Times (1/1)	≈ 550
Recycle Time	≈ 0.1 - 1.5 s
Built-in Lithium Battery	7.4 V / 700 mAh
Power Saving	Standby / Auto Power Off supported
Sync Triggering Mode	Hot Shoe, Photocell, 2.5mm Sync Cord
Working Environment	-10°C - 45°C
Dimensions	62 × 64 × 48 mm
Net Weight	≈ 121 g

Note: Specifications and parameters are subject to change without notice.

## Maintenance

**Impact Protection:** The device may malfunction if subjected to strong shocks or vibration.

**Keep Dry:** This product is NOT waterproof. Strictly do not operate with wet hands or use in rainy, damp, or high-humidity environments (e.g., bathrooms).

**Temperature Precautions:** Avoid sudden temperature changes, such as moving from a cold environment to a warm one, which may cause internal condensation. To prevent this, place the device in a protective bag beforehand to allow it to adjust to the temperature change.

## Battery Replacement

This product is designed to allow users to replace the battery using common tools during its lifecycle.

**Warning:** Battery replacement is only recommended when battery performance has degraded significantly.

### Safety Guidelines

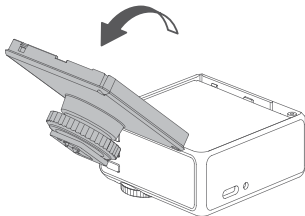
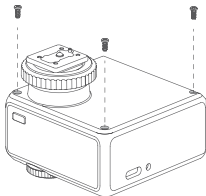
1. If liquid enters the device, stop using it immediately and disconnect the power. Remove the battery and allow it to dry in a dry place before proceeding.
2. Use original batteries to ensure safety and performance.
3. Ensure the working environment is dry and dust-free.

## Required Tools

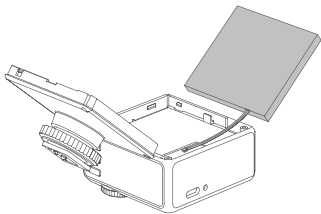
Tool Name	Note
Screwdriver	Standard tool available at hardware stores
Insulating Tape	Used to insulate the terminals of discarded batteries

## Replacement Steps

- 1. Power off:** Turn off the power switch and unplug the charging cable.
- 2. Remove the housing:** Use a Phillips screwdriver to remove the 3 fixing screws on the bottom cover, then open the bottom cover.



- 3. Disconnect:** Carefully separate the battery terminal connector. Do not pull the cable forcefully.
- 4. Install the new battery:** Ensure the connector is oriented correctly, secure it in the original position, and reassemble the housing.



Note: If the device does not start normally, check if the battery connector is properly installed.

### Recycling & Disposal

1. Wrap the battery terminals with insulating tape to prevent short circuits.
2. Comply with local environmental regulations. Dispose of the battery at an authorized recycling point.

### Declaration of Conformity

GODOX Photo Equipment Co.,Ltd. hereby declares that this equipment are in compliance with the essential requirements and other relevant provisions of Directive2014/35/EU,2014/30/EU. They are allowed to be used in all EU member states.

For more information of DoC, Please click this web link:  
<https://www.godox.com/eu-declaration-of-conformity/>

## **FCC Caution**

This device complies with part 15 of the FCC Rules. Operation is subject to the following two conditions:

- (1) This device may not cause harmful interference, and
- (2) this device must accept any interference received, including interference that may cause undesired operation.

Any Changes or modifications not expressly approved by the party responsible for compliance could void the user's authority to operate the equipment.

## **IC Warning**

This device complies with Industry Canada licence-exempt RSS standard(s). Operation is subject to the following two conditions:

- (1) This device may not cause interference, and
- (2) This device must accept any interference, including interference that may cause undesired operation of the device.

Le présent appareil est conforme aux CNR d'Industrie Canada applicables aux appareils radio exempts de licence. L'exploitation est autorisée aux deux conditions suivantes:

- (1) l'appareil ne doit pas produire de brouillage, et
- (2) l'utilisateur de l'appareil doit accepter tout brouillage radioélectrique subi, même si le brouillage est susceptible d'en compromettre le fonctionnement.

## 产品保修

尊敬的用户，本保修卡是申请保修服务的重要凭证，请您配合销售商填写并妥善保管，谢谢！

产品信息	型号	产品条码
用户信息	姓名	联系电话
	通信地址	
销售商信息	名称	
	联系电话	
	通信地址	
	销售日期	
备注		

注：此表应由销售商盖章确认。

### 适用产品

本文件适用于相关《产品保修资讯》（见后面说明）所列产品，其他非属此范围的产品或部件（如促销品、赠品及其他出厂后附加的部件等）不在此保修承诺内。

### 保修期

产品及部件的相应保修期按相关的产品保修信息执行。保修期自产品首次购买日起算，购买日以购买产品时保修卡登记日期为准。

## 如何获得保修服务

您可直接与产品销售商或授权服务机构联系，也可拨打神牛产品售后服务电话，与我们联系，由我们的服务人员为您安排服务。申请保修时，您应提供有效的保修卡作为保修凭证，方可获得保修。如您不能提供有效的保修卡，则在我们确认产品或部件属于保修范围的情况下，也可以为您提供保修，但这不作为我们的义务。

## 不适用保修的情况

如产品存在下列情况，本文件项下的保证和服务将不适用：①产品或部件超过相应保修期；②错误或不适当使用、维护或保管导致的故障或损坏，如：不当搬运；非按产品合理预期用途使用；不当插拔外接设备；跌落或外力挤压；接触或暴露于不适当温度、溶剂、酸碱、水浸或潮湿环境；③由非神牛授权机构或人员安装、修理、更改、添加或拆卸造成的故障或损坏；④产品或部件原有识别信息被修改变更或删除；⑤无有效保修卡；⑥使用非合法授权、非标准或非公开发行的软件造成的故障或损坏；⑦因不可抗力或意外事件造成的故障或损坏；⑧其他非因产品本身质量问题导致的故障或损坏。遇上述情况，您应向相关责任方寻求解决，神牛对此不承担任何责任。因非在保修期或保修范围内的部件、附件或软件导致产品不能正常使用的，不是保修范围内的故障。产品使用过程中正常的脱色，磨损和消耗，不是保修范围内的故障。

## 产品保修

产品的保修期和服务类型按以下《产品保修信息》执行：

产品类别	选件名称	保修期(月)	保修服务类型
部件	主机	12	客户送修
	电池	3	客户送修
	充电器等带电性能的部件。	12	客户送修
其他	如闪光管、造型灯泡、外壳、保护罩、锁紧装置、包装等。	无	无保修

神牛产品售后服务电话：0755-29609320-8062

## Warranty

Dear customers, as this warranty card is an important certificate to apply for our maintenance service, please fill in the following form in coordination with the seller and safe-keep it. Thank you!

Product Information	Model	Product Code Number
Customer Information	Name	Contact Number
	Address	
Seller Information	Name	
	Contact Number	
	Address	
	Date of Sale	
Note		

Note: This form shall be sealed by the seller.

### Applicable Products

The document applies to the products listed on the Product Maintenance Information (see below for further information). Other products or accessories (e.g. promotional items, giveaways and additional accessories attached, etc.) are not included in this warranty scope.

## Warranty Period

The warranty period of products and accessories is implemented according to the relevant Product Maintenance Information. The warranty period is calculated from the day (purchase date) when the product is bought for the first time, and the purchase date is considered as the date registered on the warranty card when buying the product.

## How to Get the Maintenance Service

If maintenance service is needed, you can directly contact the product distributor or authorized service institutions. You can also contact the Godox after-sale service call and we will offer you service. When applying for maintenance service, you should provide valid warranty card. If you cannot provide valid warranty card, we may offer you maintenance service once confirmed that the product or accessory is involved in the maintenance scope, but that shall not be considered as our obligation.

## Inapplicable Cases

The guarantee and service offered by this document are not applicable in the following cases:

- ① The product or accessory has expired its warranty period;
- ② Breakage or damage caused by inappropriate usage, maintenance or preservation, such as improper packing, improper usage, improper plugging in/out external equipment, falling off or squeezing by external force, contacting or exposing to the improper temperature, solvent, acid, base, flooding and damp environments, etc;
- ③ Breakage or damage caused by non-authorized institution or staff in the process of installation, maintenance, alternation, addition and detachment;
- ④ The original identifying information of product or accessory is modified, alternated, or removed;
- ⑤ No valid warranty card;
- ⑥ Breakage or damage caused by using illegally authorized, nonstandard or non-public released software;
- ⑦ Breakage or damage caused by force majeure or accident;
- ⑧ Breakage or damage that could not be attributed

to the product itself. Once met these situations above, you should seek solutions from the related responsible parties and Godox assumes no responsibility. The damage caused by parts, accessories and software that beyond the warranty period or scope is not included in our maintenance scope. The normal discoloration, abrasion and consumption are not the breakage within the maintenance scope.

## Maintenance and Service Support Information

The warranty period and service types of products are implemented according to the following Product Maintenance Information:

Product Type	Name	Maintenance Period(month)	Warranty Service Type
Parts	Circuit board	12	Customer sends the product to designated site
	Battery	3	Customer sends the product to designated site
	Electrical parts e.g.battery charger, etc.	12	ustomer sends the product to designated site
Other Items	Flash tube, modeling lamp, lamp body, lamp cover, locking device, package, etc.	No	Without warranty

Godox After-sale Service Call +86-755-29609320(8062)