



神牛微信公众号
Follow Wechat Official Account

合格证
QC PASS

深圳市神牛摄影器材有限公司

地址: 深圳市宝安区福海街道塘尾社区耀川工业区厂房2栋

电话: 0755-29609320(8062) 传真: 0755-25723423 邮箱: godox@godox.com

GODOX Photo Equipment Co., Ltd.

Add: Building 2, Yaochuan Industrial Zone, Tangwei Community, Fuhai Street, Bao'an District,
Shenzhen 518103, China Tel: +86-755-29609320(8062) Fax: +86-755-25723423

E-mail: godox@godox.com

godox.com

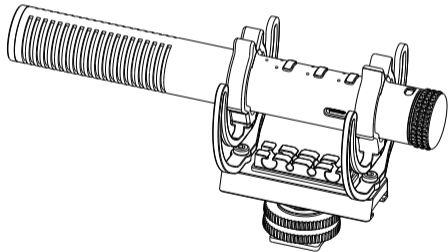
Made in China



Godox

超心型电容枪式麦克风
Supercardioid Condenser Shotgun Microphone

VDS-M2



使用手册

Instruction Manual

前言

欢迎购买超心型电容枪式麦克风。本产品内置锂电池，用于网络直播、户外直播、拍摄视频、游戏等的音频录制。请仔细阅读说明书，以便正确操作。充分发挥本产品的优越性能。

产品特点

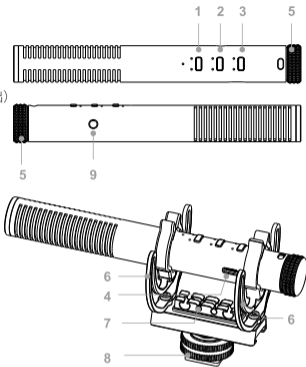
- 超心型指向，离轴，低音染
- 革命性的声学设计
- 轻巧灵动
- 可调节的高通滤波器、可变增益控制、高频增强、音量衰减和安全通道功能
- 贴心配件，稳定又降噪
- 高指向性超心形拾音模式与极为平坦的频率响应

警告

- ⚠ 请勿私自拆卸产品！产品如出现故障须由本公司或授权的维修人员进行检查维修。
- ⚠ 请保持干燥！请勿用湿手接触产品，亦不可将产品浸入水中或暴露于雨中。
- ⚠ 请勿让儿童接触本产品！
- ⚠ 请勿在易燃易爆环境中使用！在这些场合下，请注意相关警告标识。
- ⚠ 请勿放置在超过50°C的高温环境中！
- ⚠ 请仔细阅读并遵守由厂商提供的警告或指示！

产品结构

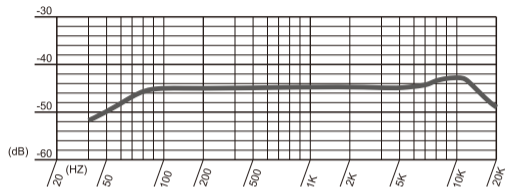
1. -20dB衰减/安全通道按钮
2. 高通滤波按钮
3. 电源/高频增强按钮
4. 多功能TYPE-C接口(充电/音频输出)
5. 增益调节旋钮(1-15)
6. 防震支架
7. 卡线支架
8. 冷靴支架
9. 3.5mm(自动感应输出)



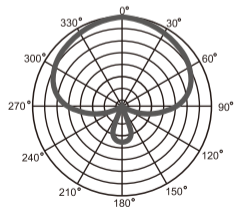
产品尺寸



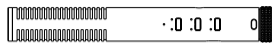
频率响应图



超心型指向



标配物品



麦克风×1



USB-C 连接线×1



说明书×1



防震支架×1



3.5mm TRRS-TRRS 音频连接线 ×1



3.5mm TRS-TRRS 音频连接线
(手机适配线) ×1



防风海绵×1

按键说明

-20dB衰减/安全通道按钮:分别代表-20dB音量衰减和安全通道功能。

高通滤波按钮:75Hz、150Hz两种模式。

电源/高频增强按钮:分别实现开/关机功能和高频增强功能。

增益调节旋钮:1-15格阻尼旋钮调整增益大小,数字1为最小增益,数字15为最大增益。

操作技巧

• 增益调节

麦克风后部是可变增益控制，可提供宽输出范围1-15。您可以使用此功能精确地调整输出级别，使其与您的设备最佳匹配。

• 电源/高频增强

麦克风最下端按钮是电源/高频增强按钮，默认情况下，麦克风在连接到设备时会自动打开电源，断开与设备的连接时会关闭电源，您也可以通过按住此按钮3秒钟来手动打开/关闭麦克风。如果需要与高频增强一起使用，轻按一下将接通高频增强（右侧LED亮起），再次短按将分离高频增强（右侧LED熄灭）。高频增强功能可以增强声音细节和清晰度—在使用防风罩时尤其有用。

• 高通滤波器

麦克风中间按钮是高通滤波按钮，按此键一次将接合75Hz高通滤波器（左侧LED亮起）。再次按键将接合150Hz滤波器（左侧LED熄灭，右侧LED亮起），第三次按下关闭高通滤波器功能（两侧LED均熄灭）。高通滤波功能分别过滤低于75Hz和150Hz的低频信号，可减少来自风、交通和其他环境声中的低频噪声。

• -20dB衰减和安全通道

单次按下顶部按钮将接合-20dB衰减（左侧LED灯亮起），再次按下将接合安全通道（左侧LED灯熄灭，右侧LED灯亮起），第三次按下将接合两个功能（左侧和右侧LED灯亮起），最后一次按下两种功能关闭（两侧LED均熄灭）。可切换的-20dB音量衰减，用于在非常嘈杂环境下录音。安全通道功能则可增加录音的安全性，在主通道电平正常的情况下以-20dB的电平录制另一个单独的声音，挽救突发情况导致的录音失真和爆音。

• 3.5mm输出接口

自动感应的3.5mm输出可在TRS和TRRS之间智能切换，以适应相机和移动设备，无需适配器。

• USB 功能

直接插入计算机、平板电脑或智能手机，可将其转换为USB麦克风，并伴随充电。亦可将耳机插入 3.5mm 输出接口在使用 USB 输出的同时进行实时监听。

电池

VDS-M2内置可充电锂电池，约25个小时的续航时间，足以应付长时间拍摄录音。通过USB-C充电，约需3.5小时充满。

指示灯说明

工作指示灯常亮绿色时为产品在开机状态下正常工作，高通滤波按钮指示灯、-20dB衰减/安全通道按钮指示灯均为绿色。

最顶上的LED是分贝峰值警告灯。当麦克风的内部前置放大器被剪断时，它将亮起红色，此时应接合键盘。

电池电源状态指示灯，常亮绿灯表示电量在满电和10%之间，红灯闪烁表示电量低于10%

当麦克风连接到电源时，LED指示充电状态：

连接到计算机、平板电脑或智能手机时，蓝色表示正在充电，常亮绿色表示已充满电。

当连接到电源组或USB电源适配器时，闪烁绿色表示正在充电，常亮绿色表示已充满电。

规格参数

型号	VDS-M2
拾音模式	超心型
频率范围	20Hz-20KHz
信噪比	79dBA
咪头灵敏度	-34±2dB
高通滤波器频率	75Hz,150Hz
电池容量	500mAh
工作环境温度	-10°C~50°C
整机尺寸	直径:22mm 长度:173.4mm
整机重量	156g;其中主体(96g)+支架(60g)

维护保养

避免跌落!如果受到强烈碰撞或震动,设备可能会发生故障;

保持干燥!本产品是非防水产品,如果将其浸入水中或放置于高湿度的环境中将可能发生故障。内部构造生锈可能会导致无法修理的损害。

避免温度骤变!温度的突变,诸如在寒冷天进出温暖的大楼将可能会使产品内部结露。为避免结露,请将本产品事先装入手提袋或塑料包内,以防温度突变。

远离强磁场!无线电广播发射机等设备产生的强静电或强磁场可能会干扰本产品正常工作。

Forward

Thank you for purchasing the Godox Supercardioid Condenser Shotgun Microphone. This product has a built-in lithium battery, which is used for interview, video recording, livestream, program presentation, etc. Please read this manual carefully before using to make sure the correct operation and exert the optimum function.

Product Features

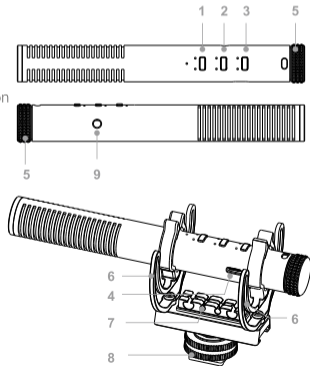
- High directional shotgun microphone
- Signature broadcast-quality sound
- Portable size, powerful functions
- Selectable high-pass filter, precise gain control, high-frequency boost, pad and safety channel functions
- User-favor accessories, stable and noise reduction
- High directional super cardioid pickup pattern, flat frequency response

Warning

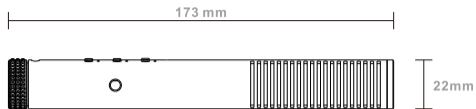
- ⚠ Do not disassemble. Should repairs become necessary, this product must be sent to an authorized maintenance center.
- ⚠ Always keep this product dry. Do not use in rain or in damp conditions.
- ⚠ Keep out of reach of children.
- ⚠ Do not use the flash unit in the presence of flammable gas. In certain circumstance, please pay attention to the relevant warnings.
- ⚠ Do not leave or store the product if the ambient temperature reads over 50°C .
- ⚠ Please carefully read and observe the warnings and instructions provided by the manufacturer.

Structure of Product

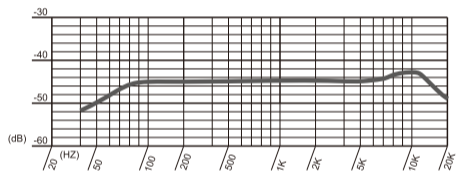
1. -20dB Pad/Safety Channel Button
2. High-pass Filter Button
3. Power/High-frequency Boost Button
4. Multi-functional TYPE-C Output (Charging Port/Audio Output)
5. Gain Control Dial(1-15)
6. Shock-absorbing Bracket
7. Cable Management
8. Cold Shoe
9. 3.5mm Auto-sensing Output



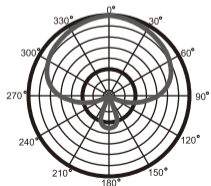
Dimension of Product



Frequency Response



Polar Pattern



What's in the Box



Microphone ×1



USB-C Connecting Cable ×1



Shock-absorbing Bracket ×1



3.5mm TRRS-TRRS Audio Connecting Cable ×1



3.5mm TRS-TRRS Audio Connecting Cable (For Smartphone) ×1



Windproof Sponge ×1



Instruction Manual ×1

Instructions for Buttons

-20dB Pad/Safety Channel Button: -20dB pad and safety channel functions.

High-pass Filter Button: 75Hz high-pass filter and 150Hz high-pass filter.

Power/High-frequency Boost Button: power ON/OFF and engage high frequency boost.

Gain Control Dial: turn the select dial to adjust gain value from 1 to 15, the number 1 is the minimum gain, and the number 15 is the maximum gain.

Operation Instructions

• Precise Gain Control

The microphone tail with Gain Control Dial for turning and adjusting the gain value 1-15 to select and match your device and environment.

• Power/High-frequency Boost Button

The bottom button is the Power/High-frequency Boost Button. By default, the microphone will automatically turn on when connected to the device, and turn off when disconnected from the device. You can also manually turn on/off by pressing and holding this button for 3 seconds. Here is also a high frequency boost for enhancing clarity and detail in your recording, short press this button to engage the high frequency boost (right LED will illuminate), and short press again to disengage the high frequency boost (right LED will turn off).

• High-pass Filters

The middle button is High-pass Filters Button, press this button to switch to engage the 75Hz high-pass filter (left LED will illuminate) and 150Hz high-pass filter (right LED will illuminate), press third time to disengage high-pass filter function (both LEDs will turn off). There are two high-pass filters available, which cut frequencies below 75Hz and 150Hz respectively to help mitigate wind noise and other low frequency rumble.

Note: The 150Hz filter will cut more bass frequencies, so this is suitable in more adverse conditions.

• -20dB Pad and safety channel

Press the top button once to engage the -20dB (left LED will illuminate), press once more to engage the safety channel (left LED will turn off, right LED will illuminate), press button third time to engage both the -20dB and safety channel (both LEDs will illuminate), press fourth time to disengage both functions (both LEDs will turn off).

The -20dB pad function makes sure your audio is clear and distortion-free when recording loud sound sources. While the safety channel records a second track at -20dB that can substitute for the main track in post-production if it distorts.

• 3.5mm output and auto-sensing feature

The 3.5mm output automatically detects whether the microphone is plugged into a TRS input (most cameras) or a TRRS input (most smartphones and tablets) and switches to accommodate without adapters.

• USB output

Plug it into the computer, tablet or smartphone to convert it into a USB microphone, it will also start charging automatically. You can also plug headphones into the 3.5mm output to monitor the audio.

Battery

The microphone features an in-built lithium battery that provides 25 hours of recording and charges via USB-C (from empty to full in 3.5 hours).

Instructions for Indicator Lights

When this microphone is turned on and working normally, the working indicator light is always Green, and the high-pass filter button indicator light and the -20dB Pad/Safety channel button indicator light are all green;

The top LED is the peak warning light. It will flash red when the signal is clipping, indicating that you need to either apply the -20dB pad and/or safety channel, or lower the voice.

The Power LED Indicator displays battery power status, constant on green means battery capacity is over 10%, flashing red means battery capacity is below 10%.

When the microphone connected to the power source, the LED indicates the charging status; when connected to the computer, tablet and smartphone, blue means charging, green means fully charged; when connected to the power pack or USB power adapter, flashing green means charging, constant on green means fully charged.

Technique Data

Model	VDS-M2
Pick-up Sound Mode	Supercardioid
Frequency Range	20Hz-20KHz
Signal to Noise Ratio	79dBA
Mic Sensitivity	-34±2dB
High Pass Filter Frequency	75Hz,150Hz
Battery Capacity	500mAh
Working Temperature	-10°C~50°C
Dimension	Diameter: 22mm Length: 173.4mm
Weight	156g; Microphone(96g)+Bracket(60g)

Maintenance

Avoid sudden drops. The device may fail to work after strong shocks, impacts, or excess stress.

Keep dry. The product isn't water-proof. Malfunction, rust, and corrosion may occur and go beyond repair if soaked in water or exposed to high humidity.

Avoid sudden temperature changes. Condensation happens if sudden temperature changes such as the circumstance when taking the product out of a building with higher temperature to outside in winter. Please put the product in a handbag or plastic bag beforehand.

Keep away from strong magnetic field. The strong static or magnetic field produced by devices such as radio transmitters leads to malfunction.

Changes made to the specifications or designs may not be reflected in this manual.

Declaration of Conformity:

GODOX Photo Equipment Co.,Ltd. hereby declares that the This equipment are in compliance with the essential requirements and other relevant provisions of EU Directive 2014/30/EU.

They are allowed to be used in all EU member states.

For more information of DoC, Please click this web link:

https://www.godox.com/DOC/Godox_VDS-M2_DOC.pdf

FCC Caution

This device complies with part 15 of the FCC Rules. Operation is subject to the following two conditions:

- (1) This device may not cause harmful interference, and
- (2) this device must accept any interference received, including interference that may cause undesired operation.

Any Changes or modifications not expressly approved by the party responsible for compliance could void the user's authority to operate the equipment.

Note: This equipment has been tested and found to comply with the limits for a Class B digital device, pursuant to part 15 of the FCC Rules. These limits are designed to provide reasonable protection against harmful interference in a residential installation. This equipment generates uses and can radiate radio frequency energy and, if not installed and used in accordance with the instructions, may cause harmful interference to radio communications. However, there is no guarantee that interference will not occur in a particular installation. If this equipment does cause harmful interference to radio or television reception, which can be determined by turning the equipment off and on, the user is encouraged to try to correct the interference by one or more of the following measures:

- Reorient or relocate the receiving antenna.
- Increase the separation between the equipment and receiver.
- Connect the equipment into an outlet on a circuit different from that to which the receiver is connected.
- Consult the dealer or an experienced radio/TV technician for help.

The device has been evaluated to meet general RF exposure requirement. The device can be used in portable exposure condition without restriction.

产品保修

尊敬的用户本保修卡是申请保修服务的重要凭证请您配合销售商填写并妥善保管谢谢!

产品信息	型号	产品条码
用户信息	姓名	联系电话
	通信地址	
销售商信息	名称	
	联系电话	
	通信地址	
	销售日期	
备注		

注:此表应由销售商盖章确认。

产品信息

本文件适用于相关《产品保修信息》(见后面说明)所列产品,其他非属此范围的产品或部件(如促销品、赠品及其他出厂后附加的部件等)不在此保修承诺内。

保修期

产品及部件的相应保修期按相关的《产品保修信息》执行。保修期自产品首次购买日起算,购买日以购买产品时保修卡登记日期为准。

如何获得保修服务

要保修服务,您可直接与产品销售商或授权服务机构联系,也可拨打神牛产品售后服务电话与我们联系,由我们的服务人员为您安排服务申请保修时,您应提供有效的保修卡作为保修凭证,方可获得保修。如您不能提供有效的保修卡,则在我们可确认产品或部件属于保修范围的情况下,也可以为您提供保修,但这不作为我们的义务。

不适用保修的情况

如产品存在下列情况,本文件项下的保证和服务将不适用 ① 产品或部件超过相应保修期;② 错误或不当使用维护或保管导致的故障或损坏,如:不当搬运;非按产品合理预期用途使用;不当插拔外接设备;跌落或外力挤压;接触或暴露于不适当温度、溶剂、酸碱、水浸或潮湿环境;③ 由非神牛授权机构或人员安装、修理、更改、添加或拆卸造成的故障或损坏;④ 产品或部件原有识别信息被修改变更或删除;⑤ 无有效保修卡;⑥ 使用非法授权、非标准或非公开发行的软件造成的故障或损坏;⑦ 因不可抗力或意外事件造成的故障或损坏;⑧ 其他非因产品本身质量问题导致的故障或损坏。遇上述情况,您应向相关责任方寻求解决,神牛对此不承担任何责任因非在保修期或保修范围内的部件、附件或软件导致产品不能正常使用的,不是保修范围内的故障。产品使用过程中正常的脱色,磨损和消耗,不是保修范围内的故障。

产品保修和服务支持信息

产品的保修期和服务类型按以下《产品保修信息》执行:

产品类别	选件名称	保修期(月)	保修服务类型
部件	电路板	12	客户送修
	电池	3	客户送修
	充电器、电源线,同步线等带电性能的部件	12	客户送修
其他	如电池盒、防风棉、防风毛罩、锁紧装置、手提绳、扎带、魔术贴、领夹、便携袋、包装等	无	无保修

神牛产品售后服务电话 0755-29609320-8062

Warranty

Dear customers, as this warranty card is an important certificate to apply for our maintenance service, please fill in the following form in coordination with the seller and safe-keep it. Thank you!

Product Information	Model	Product Code Number
Customer Information	Name	Contact Number
	Address	
Seller Information	Name	
	Contact Number	
	Address	
	Date of Sale	
Note		

Note: This form shall be sealed by the seller.

Applicable Products

The document applies to the products listed on the Product Maintenance Information (see below for further information). Other products or accessories (e.g. promotional items, giveaways and additional accessories attached, etc.) are not included in this warranty scope.

Warranty Period

The warranty period of products and accessories is implemented according to the relevant Product Maintenance Information. The warranty period is calculated from the day (purchase date) when the product is bought for the first time, and the purchase date is considered as the date registered on the warranty card when buying the product.

How to Get the Maintenance Service

If maintenance service is needed, you can directly contact the product distributor or authorized service institutions. You can also contact the Godox after-sale service call and we will offer you service. When applying for maintenance service, you should provide valid warranty card. If you cannot provide valid warranty card, we may offer you maintenance service once confirmed that the product or accessory is involved in the maintenance scope, but that shall not be considered as our obligation.

Inapplicable Cases

The guarantee and service offered by this document are not applicable in the following cases: ①. The product or accessory has expired its warranty period; ②. Breakage or damage caused by inappropriate usage, maintenance or preservation, such as improper packing, improper usage, improper plugging in/out external equipment, falling off or squeezing by external force, contacting or exposing to the improper temperature, solvent, acid, base, flooding and damp environments, etc; ③. Breakage or damage caused by non-authorized institution or staff in the process of installation, maintenance, alternation, addition and detachment; ④. The original identifying information of product or accessory is modified, alternated, or removed; ⑤. No valid warranty card; ⑥. Breakage or damage caused by using illegally authorized, nonstandard or non-public released software; ⑦. Breakage or damage caused by force majeure or accident; ⑧. Breakage or damage that could not be attributed to the product itself. Once met these situations above, you should seek solutions from the related responsible parties and Godox assumes no responsibility. The damage caused by parts, accessories and software that beyond the warranty period or scope is not included in our maintenance scope. The normal discoloration, abrasion and consumption are not the breakage within the maintenance scope.

Maintenance and Service Support Information

The warranty period and service types of products are implemented according to the following Product Maintenance Information:

Product Type	Name	Maintenance Period(month)	Warranty Service Type
Parts	Product Main Body	12	Customer sends the product to designated site
	Battery	3	Customer sends the product to designated site
	Charger, Power Cable, Sync Cable, Electrical Parts etc.	12	Customer sends the product to designated site
Other Items	Battery Case, Windscreen Foam, Wind Cap, Locking Device, Lanyard, Tie, Velcro Tape, Clip, Bag, Package etc.	No	Without warranty